

HPRC MAV3500BLK-02



- 1** Dji Mavic 2 (Intelligent Flight Battery and Gimbal Protector Included)
- 2** Remote Controller
- 3** Intelligent Flight Batteries
- 4** Battery charger
- 5** Usb Adaptor
- 6** Mavic 2 Car Charger
- 7** Propellers
- 8** Battery Charging Hub
- 9** Battery to Power Bank Adapter
- 10** Cables

TECHNICAL FEATURES

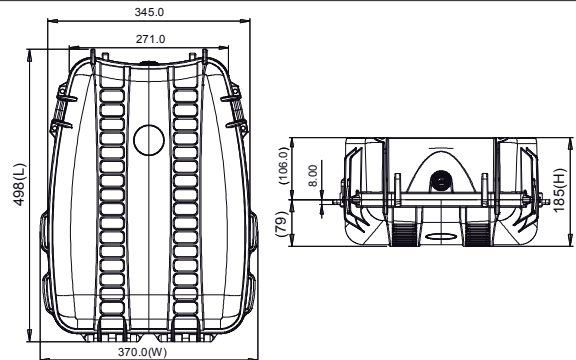
Dimension:
 internal dimension
 433x319x169(mm) - 17.05x12.56x6.65(in)
 external dimension
 498x370x185(mm) - 19.61x14.57x7.28(in)

Weight:
 3,55kg - 7.82lbs

Temperature rating:
 Minimum Maximum
 -40°C -40°F +80°C +176°F



TECHNICAL DRAWING



HPRC

Plaber s.r.l. - HPRC cases

Via Div Tridentina, 10
 I-36061 Bassano del Grappa
 Vicenza - Italy

Tel +39 0424 809150
 Fax +39 0424 808548

HPRC USA

240 Anderson Avenue
 07074 Moonachie
 New Jersey - Usa

Tel +1 201 617 2010
 Fax +1 201 617 2001

www.hprc.it
 E: info@hprc.it



APPROVALS
 ATA 300
 IP67
 STANAG 4280
 DS 81-41

TEST
 DROP
 IMPACT
 HANDLE
 WATERTIGHT INTEGRITY
 UV COLOR AND MATERIAL
 PROTECTION

